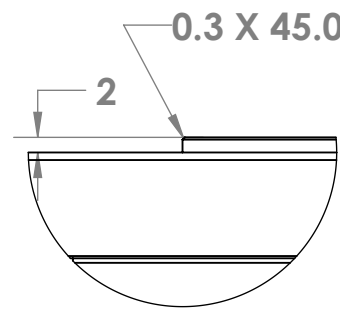
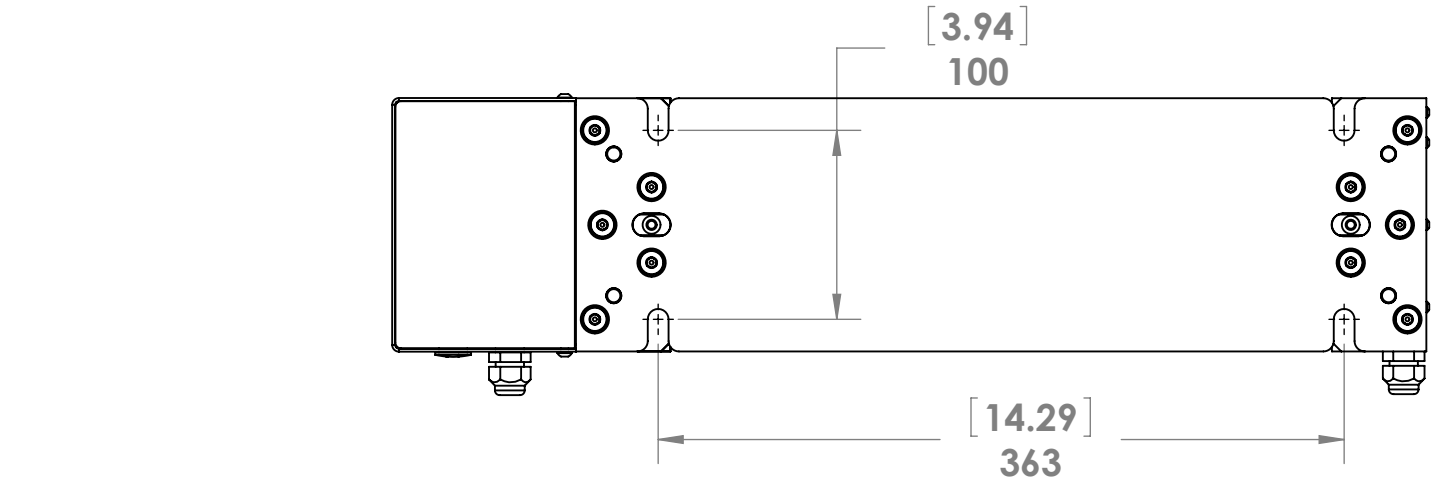
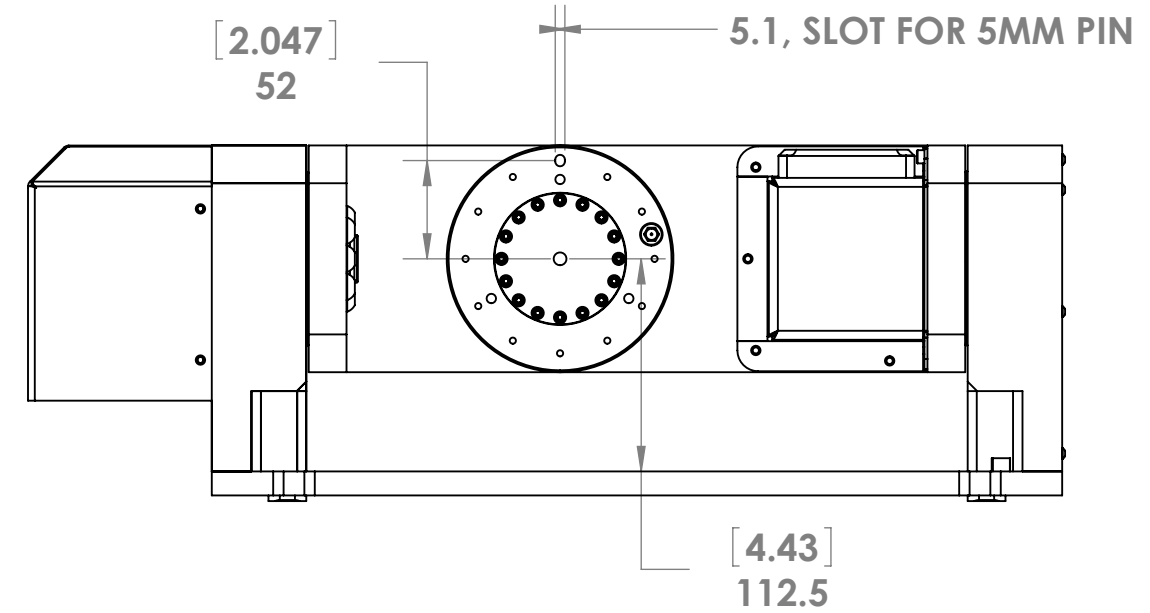
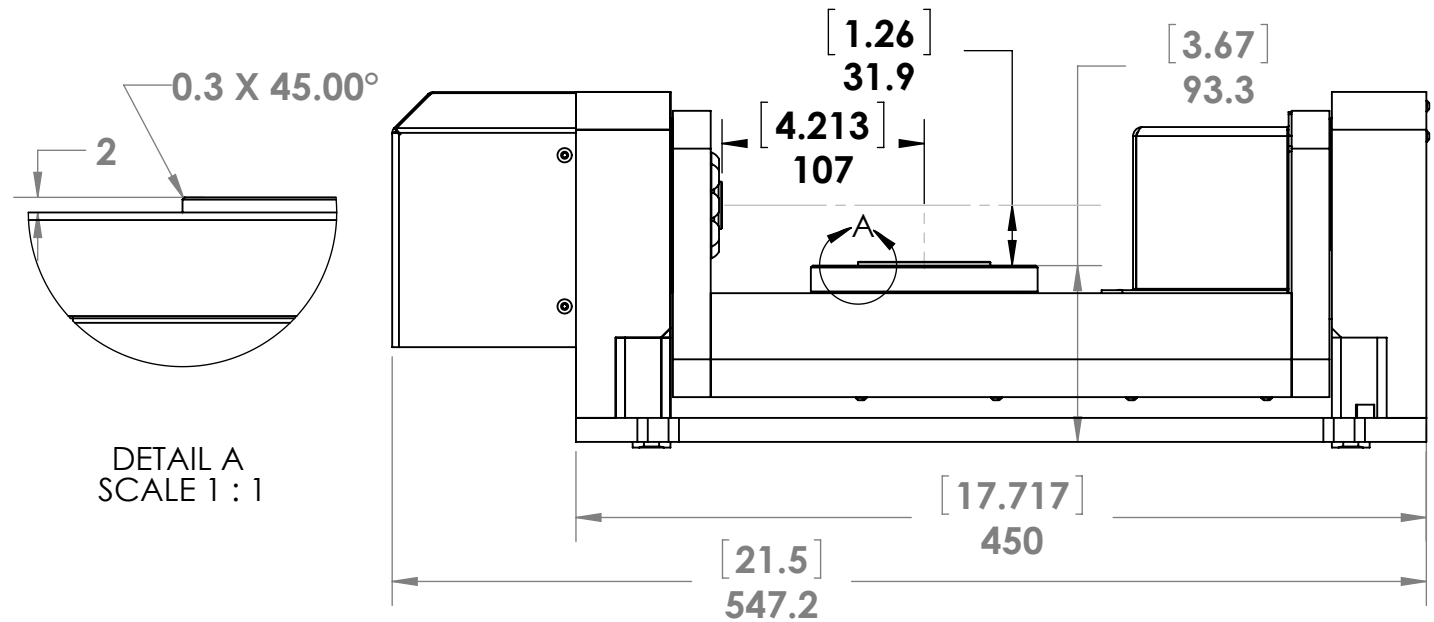
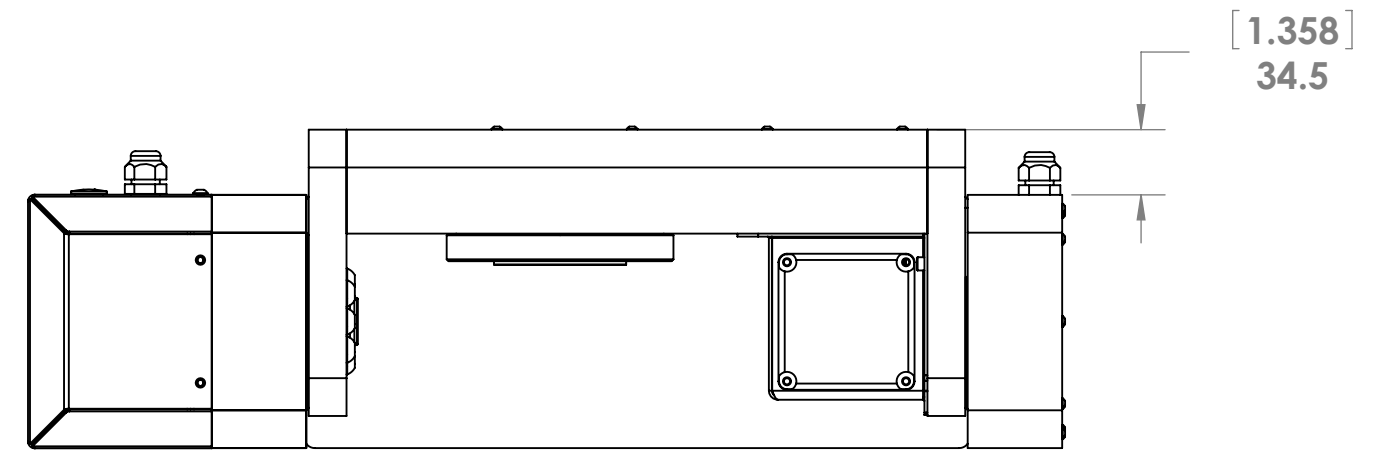
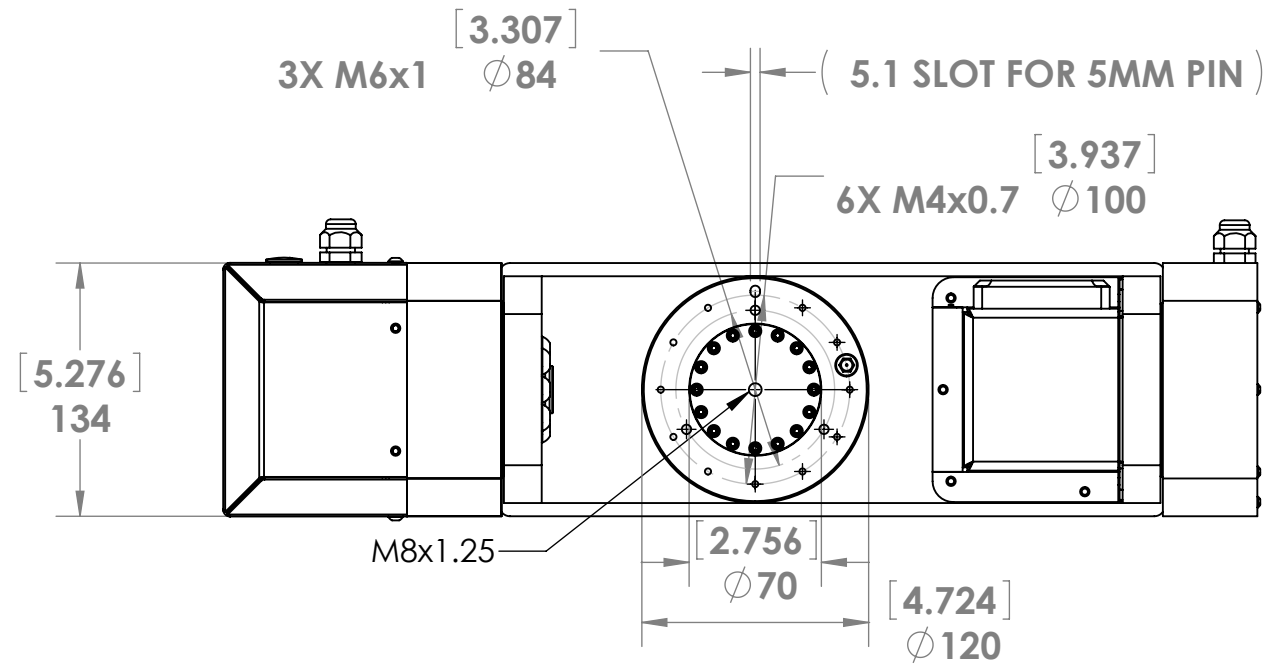


# TN4 Dimensions A=0

# TN4 Dimensions A=90



UNLESS OTHERWISE SPECIFIED:

DIMENSIONS ARE IN INCHES  
 TOLERANCES:  
 TWO PLACE DECIMAL  $\pm 0.01$   
 THREE PLACE DECIMAL  $\pm 0.005$   
 FOUR PLACE DECIMAL  $\pm 0.0005$

INTERPRET GEOMETRIC  
 TOLERANCING PER:  
 MATERIAL

FINISH

DO NOT SCALE DRAWING

|           | NAME | DATE     |
|-----------|------|----------|
| DRAWN     | DM   | 03/20/11 |
| CHECKED   |      |          |
| ENG APPR. |      |          |
| MFG APPR. |      |          |
| Q.A.      |      |          |

COMMENTS:

TITLE:

TN4 DIMENSIONS

| SIZE     | DWG. NO. | REV       |
|----------|----------|-----------|
| <b>B</b> | TN4      | <b>05</b> |

| SCALE: 1:5 | WEIGHT: | SHEET 1 OF 1 |
|------------|---------|--------------|
|            |         |              |