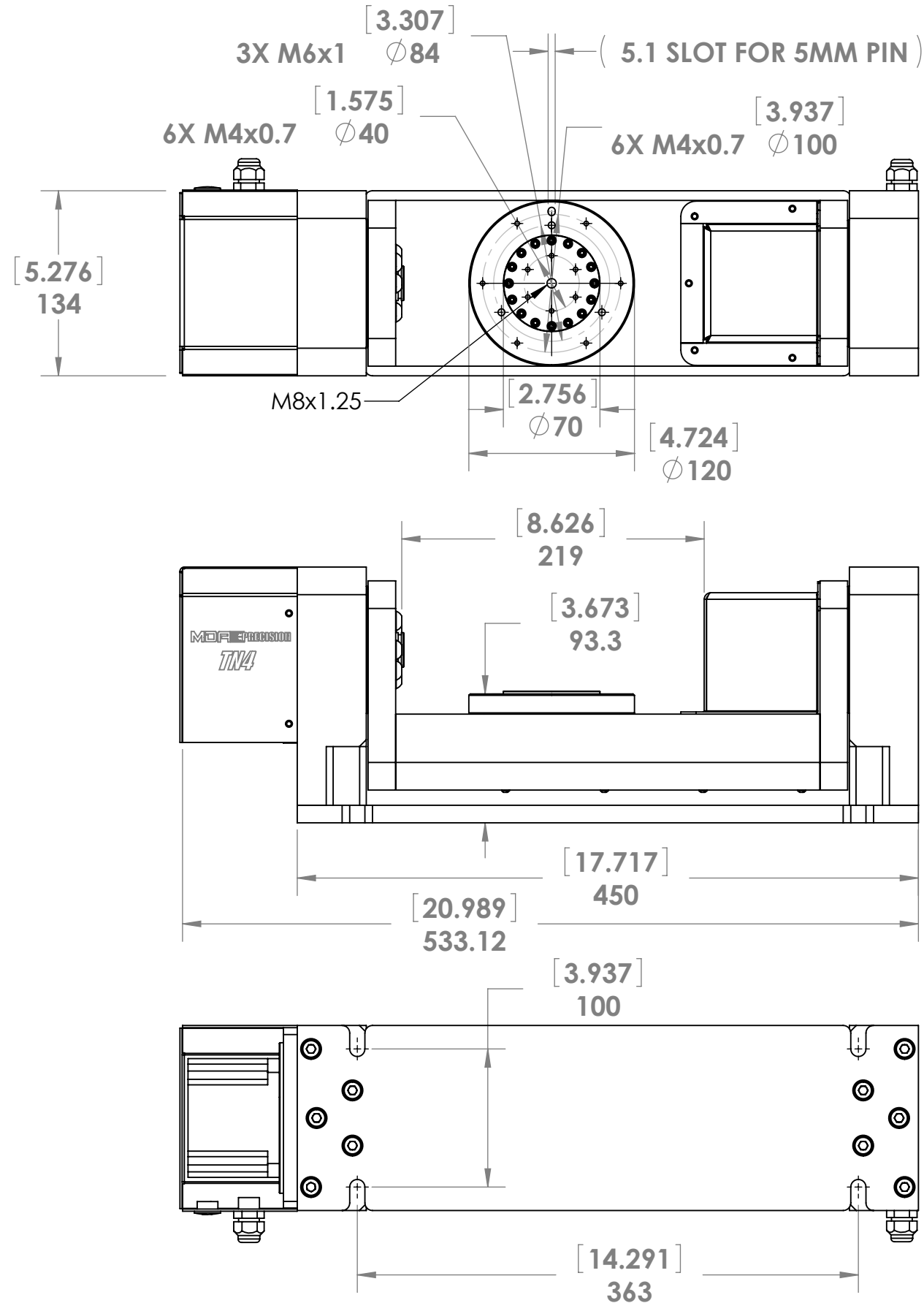
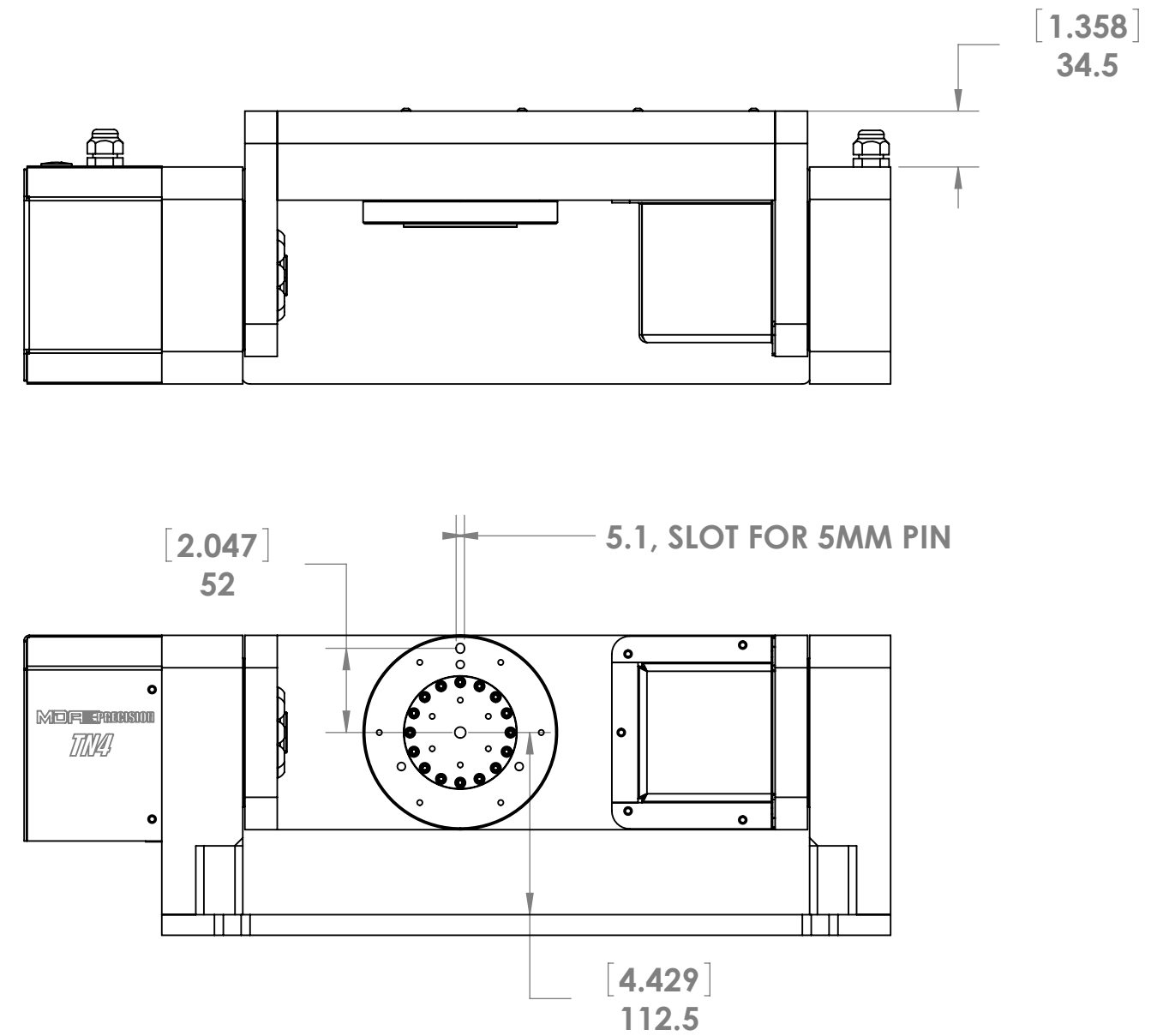


# TN4 Dimensions A=0



# TN4 Dimensions A=90



UNLESS OTHERWISE SPECIFIED:

DIMENSIONS ARE IN INCHES  
 TOLERANCES:  
 TWO PLACE DECIMAL  $\pm 0.01$   
 THREE PLACE DECIMAL  $\pm 0.005$   
 FOUR PLACE DECIMAL  $\pm 0.0005$

INTERPRET GEOMETRIC  
 TOLERANCING PER:  
 MATERIAL

FINISH

DO NOT SCALE DRAWING

	NAME	DATE
DRAWN	DM	03/20/11
CHECKED		
ENG APPR.		
MFG APPR.		
Q.A.		

COMMENTS:

TITLE:

TN4 DIMENSIONS-STEPPER

SIZE	DWG. NO.	REV
<b>B</b>	TN4	<b>04</b>
SCALE: 1:5	WEIGHT:	SHEET 1 OF 1